

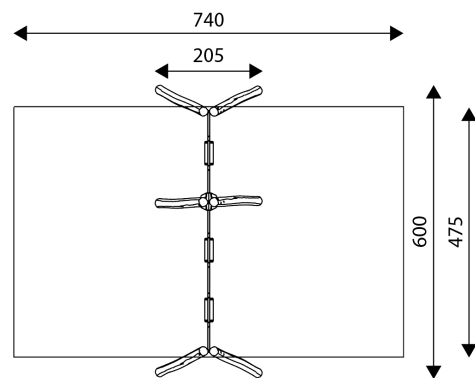
**ROBINIA RB1491**

**PLAYGROUND EQUIPMENT**



| Device Specifications              |                     |
|------------------------------------|---------------------|
| Safety zone                        | 35,2 m <sup>2</sup> |
| Lenght                             | 205 cm              |
| Width                              | 600 cm              |
| Total height                       | 235 cm              |
| Free fall height                   | 130 cm              |
| Age area                           | 1-3/3-14 years      |
| In accordance with EN standard     | 1176-1:2017         |
| Weight of the heaviest part [kg]   | 72 kg               |
| Dimension of the biggest part [cm] | 310x18x18           |
| Availability of spare parts        | Yes                 |

Minimal space



**MATERIAL SPECIFICATION**

- Construction made of Robinia - very durable acacia wood with a diameter of ~ 18 cm without sharp edges, resistant to weather conditions,
- Steel construction elements, hot-dip galvanized or hot-dip galvanized and powder-coated,
- Attested, safe seats,
- Stainless steel swing fittings,
- Calibrated stainless steel chains, preventing fingers entrapment,
- Stainless steel and/or galvanized steel screws,
- Screws covered with plastic caps or stainless steel screws.

**ADDITIONAL COMMENTS**

- equipment intended for public playgrounds,
- equipment has a certificate issued by an accredited entity or a declaration of conformity,
- available types of seats in the swing: R1-flat, R2-basket, R3-flat belt, R5-flat with barrier,
- no sharp edges or chinks that would pose a danger of jimming the head, fingers or any other body parts,
- anchoring on flat surface, 80/70/60 cm deep,
- render is for reference only, the actual appearance of the equipment and its color may vary.

**SURFACES**

Due to the free fall height of the equipment, the EN 1176-1:2017 standard allows the following surfaces: turf/ soil (A,B,C), sand with minimal layer thickness of 30 cm (A,C), synthetic material approved for free fall of 1,30 m.

**UNI PLAY**

Adress: Building E, Wisniowy Business Park, Ul Ilzecka 26, 02-135, Warsaw, Poland  
 Tell: +48 221 530 191  
 Email: [info@uniplay.com.pl](mailto:info@uniplay.com.pl)