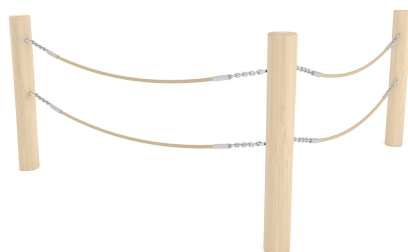


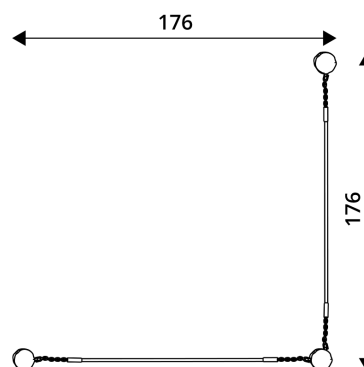
ROBINIA RB1396

PLAYGROUND EQUIPMENT



Device Specifications	
Length	176 cm
Width	176 cm
Total height	90 cm
Weight of the heaviest part [kg]	35 kg
Dimension of the biggest part [cm]	150x18x18
Availability of spare parts	Yes

Minimal space



MATERIAL SPECIFICATION

- Construction made of Robinia - very durable acacia wood with a diameter of ~ 18 cm without sharp edges, resistant to weather conditions,
- Steel ropes in PP braid, connected with durable aluminum, stainless steel and/or plastic elements,
- Calibrated stainless steel chains, preventing fingers entrapment,
- Stainless steel and/or galvanized steel screws.

ADDITIONAL COMMENTS

- small architecture, complementary element of the playground,
- anchoring on flat surface, 80/70/60 cm deep;
- render is for reference only, the actual appearance of the equipment and its color may vary.