

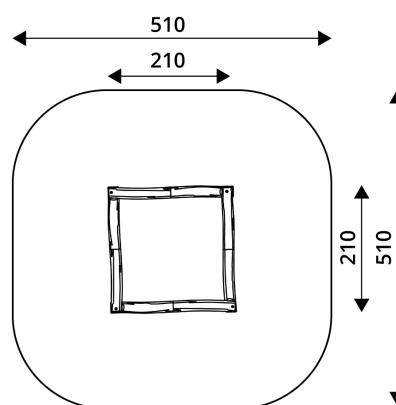
ROBINIA RB1331

PLAYGROUND EQUIPMENT



| Device Specifications | |
|------------------------------------|-------------------|
| Safety zone | 24 m ² |
| Length | 210 cm |
| Width | 210 cm |
| Total height | 20 cm |
| Free fall height | < 60 cm |
| Age range | 1-12 years |
| In accordance with EN standards | 1176-1:2017 |
| Weight of the heaviest part [kg] | 49 kg |
| Dimension of the biggest part [cm] | 210x18x18 |
| Availability of spare parts | Yes |

Minimal space



MATERIAL SPECIFICATION

- Construction made of Robinia - very durable acacia wood with a diameter of ~ 18 cm without sharp edges, resistant to weather conditions,
- Stainless steel and/or galvanized steel screws.

ADDITIONAL COMMENTS

- equipment intended for public playgrounds,
- equipment has a certificate issued by an accredited entity or a declaration of conformity;
- no sharp edges or chinks that would pose a danger of jimmieing the head, fingers or any other body parts;
- anchoring on flat surface, 80/70/60 cm deep;
- render is for reference only, the actual appearance of the equipment and its color may vary;

SURFACES

Due to the free fall height of the equipment, the EN 1176-1:2017 standard allows the following surfaces: turf/ soil (A,B,C), sand with minimal layer thickness of 30 cm (A,C), synthetic material approved for free fall of 0,60 m

UNI PLAY

Address: Building E, Wisniowy Business Park, Ul Ilzecka 26, 02-135, Warsaw, Poland
 Tell: +48 221 530 191
 Email: info@uniplay.com.pl