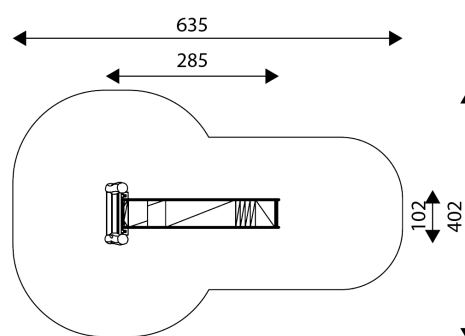


**ROBINIA RB1298**
**PLAYGROUND EQUIPMENT**


Device Specifications	
Safety zone	18,7 m <sup>2</sup>
Lenght	285 cm
Width	102 cm
Total height	115 cm
Free fall height	90 cm
Age area	3-14 years
In accordance with EN standard	1176-1:2017
Weight of the heaviest part [kg]	42 kg
Dimension of the biggest part [cm]	180x18x18
Availability of spare parts	Yes

Minimal space


**MATERIAL SPECIFICATION**

- Construction made of Robinia - very durable acacia wood with a diameter of ~ 18 cm without sharp edges, resistant to weather conditions,
- Platforms made of Robinia - very durable acacia wood, resistant to weather conditions,
- Stainless steel slide,
- Stainless steel handrails,
- Stainless steel and/or galvanized steel screws,
- Screws covered with plastic caps or stainless steel screws.

**ADDITIONAL COMMENTS**

- equipment intended for public playgrounds,
- equipment has a certificate issued by an accredited entity or a declaration of conformity;
- no sharp edges or chinks that would pose a danger of jimming the head, fingers or any other body parts;
- anchoring on flat surface, 80/70/60 cm deep;
- slide should not be installed southwards;
- render is for reference only, the actual appearance of the equipment and its color may vary;

**SURFACES**

Due to the free fall height of the equipment, the EN 1176-1:2017 standard allows the following surfaces: turf/ soil (A,B,C), sand with minimal layer thickness of 30 cm (A,C), synthetic material approved for free fall of 1,00 m.

**UNI PLAY**

Adress: Building E, Wisniowy Business Park, Ul Ilzecka 26, 02-135, Warsaw, Poland  
 Tell: +48 221 530 191  
 Email: [info@uniplay.com.pl](mailto:info@uniplay.com.pl)