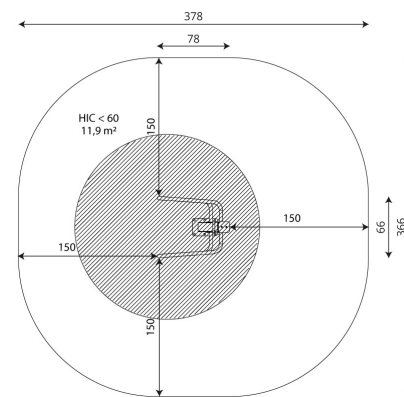


UNI FITNESS 1117
BAR


| Device Specifications | |
|------------------------------------|---------------------|
| Safety zone | 11,9 m ² |
| Length | 78 cm |
| Width | 66 cm |
| Total height | 132 cm |
| Free fall height | < 60 cm |
| Age area | 14+ |
| In accordance EN standards | 16630:2015 |
| Weight of the heaviest part [kg] | 17 |
| Dimension of the biggest part [cm] | 39x19x131 |
| Availability of spare parts | Yes |

Minimal space

MATERIAL SPECIFICATION

- 100 x 100 mm galvanized and powder coated or stainless steel construction,
- Top of the construction secured with durable plastic caps,
- Powder-galvanized and powder-coated steel or stainless steel bars,
- Stainless steel screws,
- Polycarbonate and HDPE phone holder,

ADDITIONAL COMMENTS

- device intended for public outdoor gyms;
- equipment has a certificate issued by an accredited entity or a declaration of conformity;
- no sharp edges or chinks that would pose a danger of jimmieing the head, fingers or any other body parts;
- anchoring on flat surface, 80/70 cm deep;
- render is for reference only, the actual appearance of the equipment and its color may vary;

SURFACES

Due to the free fall height of the equipment, the EN 16630:2015 standard allows the following surfaces: turf/ soil (A,B,C), sand with minimal layer thickness of 30 cm (A,C), synthetic material approved for free fall of 0,60 m.

UNI PLAY

Address: Building E, Wisniowy Business Park, Ul Ilzecka 26, 02-135, Warsaw, Poland
 Tell: +48 221 530 191
 Email: info@uniplay.com.pl