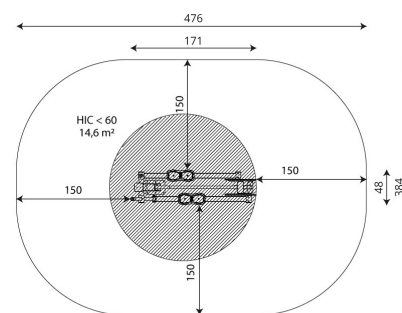


UNI FITNESS 1115
ORBITREK


Device Specifications	
Safety zone	14,6 m ²
Length	171 cm
Width	48 cm
Total height	186 cm
Free fall height	< 60 cm
Age area	14+
In accordance EN standards	16630:2015
Weight of the heaviest part [kg]	18
Dimension of the biggest part [cm]	41x19x141
Availability of spare parts	Yes

Minimal space

MATERIAL SPECIFICATION

- 100 x 100 mm galvanized and powder coated or stainless steel construction,
- Seats made of durable, anti-slip and waterproof HPL plate,
- Top of the construction secured with durable plastic caps,
- Powder-galvanized and powder-coated steel or stainless steel bars, finished with durable HDPE elements,
- Stainless steel screws,
- Polycarbonate and HDPE phone holder,
- Moving elements based on bearings mechanism closed in casing, which do not require periodic greasing and maintenance, which ensures a long service life of the device,

ADDITIONAL COMMENTS

- device intended for public outdoor gyms;
- equipment has a certificate issued by an accredited entity or a declaration of conformity;
- no sharp edges or chinks that would pose a danger of jimmieing the head, fingers or any other body parts;
- anchoring on flat surface, 80/70 cm deep;
- render is for reference only, the actual appearance of the equipment and its color may vary;

SURFACES

Due to the free fall height of the equipment, the EN 16630:2015 standard allows the following surfaces: turf/ soil (A,B,C), sand with minimal layer thickness of 30 cm (A,C), synthetic material approved for free fall of 0,60 m.

UNI PLAY

Address: Building E, Wisniowy Business Park, Ul Ilzecka 26, 02-135, Warsaw, Poland
 Tell: +48 221 530 191
 Email: info@uniplay.com.pl