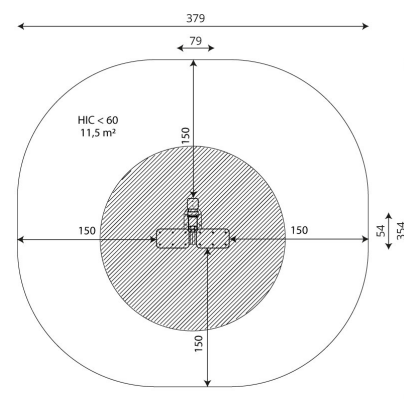


FITNESS 1114
STEPPER


Device Specifications	
Safety zone	11,5 m ²
Length	79 cm
Width	54 cm
Total height	142
Free fall height	< 60 cm
Age area	14+
In accordance EN standards	16630:2015
Weight of the heaviest part [kg]	18
Dimension of the biggest part [cm]	41x19x141
Availability of spare parts	Yes

Minimal space

MATERIAL SPECIFICATION

- 100 x 100 mm galvanized and powder coated or stainless steel construction,
- Steps made of durable, anti-slip and waterproof HPL plate, edges made of HDPE,
- Top of the construction secured with durable plastic caps,
- Stainless steel screws,
- Polycarbonate and HDPE phone holder,

ADDITIONAL COMMENTS

- device intended for public outdoor gyms;
- equipment has a certificate issued by an accredited entity or a declaration of conformity;
- no sharp edges or chinks that would pose a danger of jimmie the head, fingers or any other body parts;
- anchoring on flat surface, 80/70 cm deep;
- render is for reference only, the actual appearance of the equipment and its color may vary;

SURFACES

Due to the free fall height of the equipment, the EN 16630:2015 standard allows the following surfaces: turf/ soil (A,B,C), sand with minimal layer thickness of 30 cm (A,C), synthetic material approved for free fall of 0,60 m.

UNI PLAY

Address: Building E, Wisniowy Business Park, Ul Ilzecka 26, 02-135, Warsaw, Poland
 Tell: +48 221 530 191
 Email: info@uniplay.com.pl