

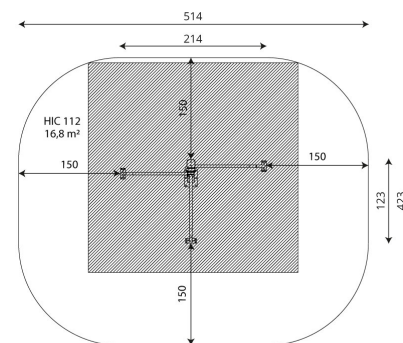
UNI FITNESS 1113

BARS



Device Specifications	
Safety zone	16,8 m <sup>2</sup>
Length	214 cm
Width	123 cm
Total height	132 cm
Free fall height	112
Age area	14+
In accordance EN standards	16630:2015
Weight of the heaviest part [kg]	17
Dimension of the biggest part [cm]	39x19x131
Availability of spare parts	Yes

Minimal space



**MATERIAL SPECIFICATION**

- 100 x 100 mm galvanized and powder coated or stainless steel construction,
- Top of the construction secured with durable plastic caps,
- Powder-galvanized and powder-coated steel or stainless steel,
- Stainless steel screws,
- Polycarbonate and HDPE phone holder,

**ADDITIONAL COMMENTS**

- device intended for public outdoor gyms;
- equipment has a certificate issued by an accredited entity or a declaration of conformity;
- no sharp edges or chinks that would pose a danger of jimmie the head, fingers or any other body parts;
- anchoring on flat surface, 80/70 cm deep;
- render is for reference only, the actual appearance of the equipment and its color may vary;

**SURFACES**

Due to the free fall height of the equipment, the EN 16630:2015 standard allows the following surfaces: sand with minimal layer thickness of 30 cm (A,C), synthetic material approved for free fall of 1,12 m.

**UNI PLAY**

Address: Building E, Wisniowy Business Park, Ul Ilzecka 26, 02-135, Warsaw, Poland  
 Tell: +48 221 530 191  
 Email: [info@uniplay.com.pl](mailto:info@uniplay.com.pl)