

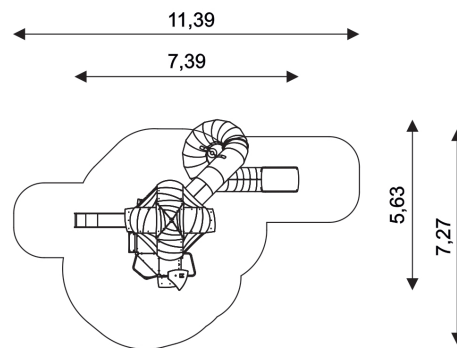
STEEL+ 1730

PLAYGROUND EQUIPMENT



Device Specifications	
Safety zone	51,30 m ²
Length	7,39 m
Width	5,63 m
Total height	6,16 m
Free fall height	1,80 m
Age range	4-14 years
In accordance w PN-EN standards	1176-1:2017
Availability of spare parts	Yes
Dimension of the biggest part [cm]	8x8x590
Weight of the heaviest part [kg]	170 kg

Minimal space



MATERIAL SPECIFICATION

- Galvanized and/or powder coated steel 80x80 mm construction;
- Roofs and panels are made of atmospheric condition resistant HDPE plates;
- Durable, anti-slip and waterproof platforms and climbing walls made of HPL;
- Screws covered with plastic caps or made of stainless steel;
- Top of the construction is secured with rubber caps;
- Stainless steel bars and handrails;
- Platforms made of metal, hot-drip galvanized and powder coated;
- Portholes and windows made of polycarbonate;
- Steel ropes braided with PP, connected by durable plastic elements;
- Fireman's pole made of stainless steel;
- Slides and tube made of stainless steel;
- Calibrated chain, preventing fingers from getting trapped;
- Certified, safe seat;
- Durable, colorful climbing rocks;

ADDITIONAL COMMENTS

- Depth of foundations on a flat surface 80/70/60 cm;
- No sharp edges or chinks that would pose a danger of jimming the head, fingers or any other body parts;
- The equipment is designed for public playgrounds;
- The equipment render is of an illustrative nature and shows only the general specification of the equipment, but not actual appearance;
- Slides should not be installed southwards;

SURFACES

Due to the free fall height of the equipment, the PN-EN 1176-1:2017 standard allows the following surfaces: turf/ soil (A,B,C), sand with minimal layer thickness of 30 cm (A,C), synthetic material approved for free fall of 1,80 m (A,B,C).

UNIPLAY

Address: Building E, Wisniowy Business Park, Ul Ilzecka 26, 02-135, Warsaw, Poland
 Tell: +48 221 530 191
 Email: info@uniplay.com.pl