

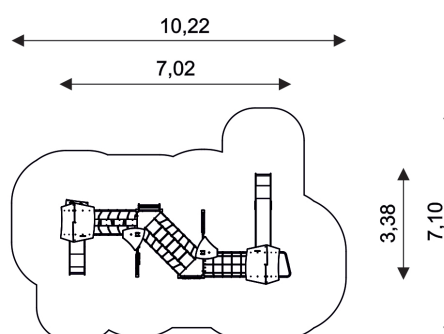
**STEEL+ 1711**

**PLAYGROUND EQUIPMENT**



| Device Specifications              |                      |
|------------------------------------|----------------------|
| Safety zone                        | 55,00 m <sup>2</sup> |
| Length                             | 7,02 m               |
| Width                              | 3,38 m               |
| Total height                       | 3,73 m               |
| Free fall height                   | 2,00 m               |
| Age range                          | 3-14 years           |
| In accordance w PN-EN standards    | 1176-1:2017          |
| Availability of spare parts        | Yes                  |
| Dimension of the biggest part [cm] | 8x8x396              |
| Weight of the heaviest part [kg]   | 23,3 kg              |

Minimal space



**MATERIAL SPECIFICATION**

- Galvanized and/or powder coated steel 80x80 mm construction;
- Roofs and panels are made of atmospheric condition resistant HDPE plates;
- Durable, anti-slip and waterproof platforms and climbing walls made of HPL;
- Screws covered with plastic caps or made of stainless steel;
- Top of the construction is secured with rubber caps;
- Stainless steel bars and handrails;
- Platforms made of metal, hot-drip galvanized and powder coated;
- Portholes and windows made of polycarbonate;
- Slides made of stainless steel;
- Steel ropes braided with PP, connected by durable plastic elements;
- Fireman's pole made of stainless steel;
- Calibrated chain, preventing fingers from getting trapped;
- Certified, safe seat;
- Durable, colorful climbing rocks;

**ADDITIONAL COMMENTS**

- Depth of foundations on a flat surface 80/70/60 cm;
- No sharp edges or chinks that would pose a danger of jimming the head, fingers or any other body parts;
- The equipment is designed for public playgrounds;
- The equipment render is of an illustrative nature and shows only the general specification, but not actual appearance;
- Slides should not be instaled southwards;

**SURFACES**

Due to the free fall height of the equipment, the PN-EN 1176-1:2017 standard allows the following surfaces: turf/ soil (A,B,C), sand with minimal layer thickness of 40 cm (A,C), synthetic material approved for free fall of 2,00 m (A,B,C).

**UNIPLAY**

Adress: Building E, Wisniowy Business Park, Ul Ilzecka 26, 02-135, Warsaw, Poland  
 Tell: +48 221 530 191  
 Email: [info@uniplay.com.pl](mailto:info@uniplay.com.pl)