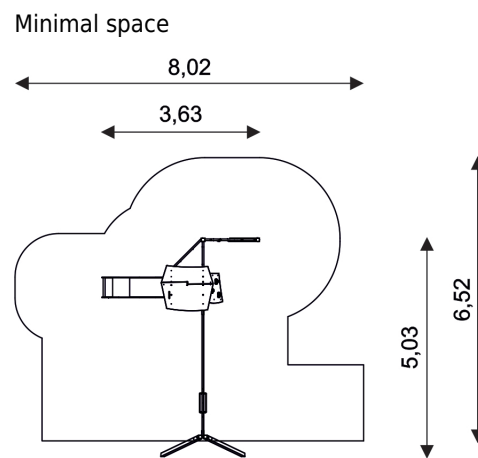


STEEL+ 1705

PLAYGROUND EQUIPMENT



Device Specifications	
Safety zone	40,20 m ²
Length	3,63 m
Width	5,03 m
Total height	3,13 m
Free fall height	2,00 m
Age range	3-14 years
In accordance w PN-EN standards	1176-1:2017
Availability of spare parts	Yes
Dimension of the biggest part [cm]	8x8x336
Weight of the heaviest part [kg]	16 kg



MATERIAL SPECIFICATION

- Galvanized and/or powder coated steel 80x80 mm construction;
- Roofs and panels are made of atmospheric condition resistant HDPE plates;
- Durable, anti-slip and waterproof platforms and climbing walls made of HPL;
- Screws covered with plastic caps or made of stainless steel;
- Top of the construction is secured with rubber caps;
- Stainless steel bars and handrails;
- Platforms made of metal, hot-drip galvanized and powder coated;
- Slides made of stainless steel;
- Steel ropes braided with PP, connected by durable plastic elements;
- Calibrated chain, preventing fingers from getting trapped;
- Certified, safe seat;
- Durable, colorful climbing rocks;

ADDITIONAL COMMENTS

- Depth of foundations on a flat surface 80/70/60 cm;
- No sharp edges or chinks that would pose a danger of jimming the head, fingers or any other body parts;
- The equipment is designed for public playgrounds;
- The equipment render is of an illustrative nature and shows only the general specification of the equipment, but not actual appearance;
- Slides should not be instaled southwards;
- Available types of seats in the swing: R1 flat seat, R2 cradle seat, R3 belt seat, R5 flat seat with backrest;

SURFACES

Due to the free fall height of the equipment, the PN-EN 1176-1:2017 standard allows the following surfaces: turf/ soil (A,B,C), sand with minimal layer thickness of 40 cm (A,C), synthetic material approved for free fall of 2,00 m (A,B,C)

UNIPLAY

Address: Building E, Wisniowy Business Park, Ul Ilzecka 26, 02-135, Warsaw, Poland
 Tell: +48 221 530 191
 Email: info@uniplay.com.pl