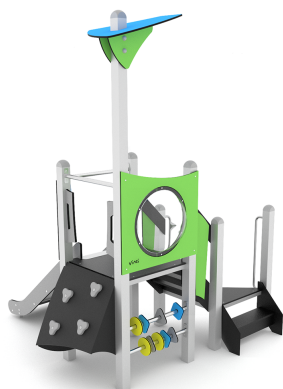
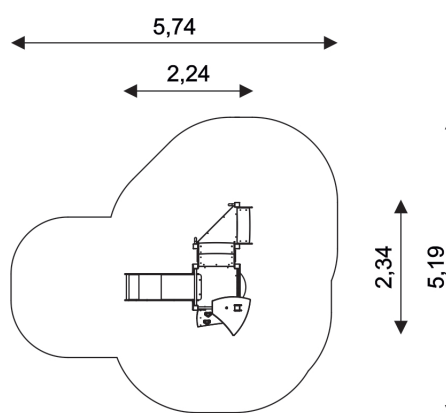


**STEEL+ 1701**
**PLAYGROUND EQUIPMENT**


Device Specifications	
Safety zone	21,50 m <sup>2</sup>
Length	2,24 m
Width	2,34 m
Total height	2,86 m
Free fall height	0,9 m
Age range	1-8 years
In accordance w PN-EN standards	1176-1:2017
Availability of spare parts	Yes
Dimension of the biggest part [cm]	8x8x335
Weight of the heaviest part [kg]	16 kg

Minimal space


**MATERIAL SPECIFICATION**

- Galvanized and/or powder coated steel 80x80 mm construction;
- Roofs and panels are made of atmospheric condition resistant HDPE plates;
- Durable, anti-slip and waterproof platforms and climbing walls made of HPL;
- Screws covered with plastic caps or made of stainless steel;
- Top of the construction is secured with rubber caps;
- Stainless steel bars and handrails;
- Platforms made of metal, hot-drip galvanized and powder coated;
- Portholes and windows made of polycarbonate;
- Slides made of stainless steel;
- Durable, colorful climbing rocks;

**ADDITIONAL COMMENTS**

- Depth of foundations on a flat surface 80/70/60 cm;
- No sharp edges or chinks that would pose a danger of jimmings the head, fingers or any other body parts;
- The equipment is designed for public playgrounds;
- The equipment render is of an illustrative nature and shows only the general specification of the equipment, but not actual appearance;
- Slides should not be installed southwards;
- The equipment is suitable for people with disabilities;

**SURFACES**

Due to the free fall height of the equipment, the PN-EN 1176-1:2017 standard allows the following surfaces: turf/ soil (A,B,C), sand with minimal layer thickness of 30 cm (A,C), synthetic material approved for free fall of 0,90 m (A,B,C).

**UNIPLAY**

Address: Building E, Wisniowy Business Park, Ul Ilzecka 26, 02-135, Warsaw, Poland  
 Tell: +48 221 530 191  
 Email: [info@uniplay.com.pl](mailto:info@uniplay.com.pl)