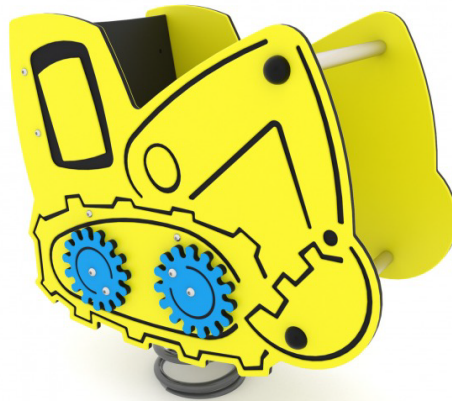


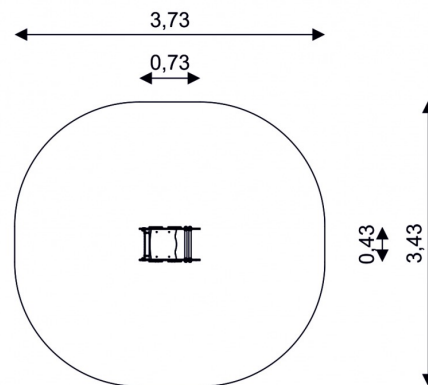
UNI PLAY SPRING 0633

EXCAVATOR SPRING RIDER



Device Specifications	
Safety zone	10,90 m ²
Length	0,73 m
Width	0,43 m
Total height	0,75 m
Free fall height	< 0,60 m
Age range	1-12 years
In accordance w PN-EN standards	1176-1:2017
Availability of spare parts	Yes

Minimal space



MATERIAL SPECIFICATION

- Steel spring 20 mm, iron phosphorated and powder coated;
- Covers and seats made of weather-resistant HDPE polyethylene plates;
- Backrest made of waterproof HPL;
- Stainless steel and / or galvanized screws covered with plastic caps;
- Other metal elements, galvanized and / or powder coated;
- Stainless steel bars;

ADDITIONAL COMMENTS

- Depth of foundations on a flat surface 40/5 cm;
- No sharp edges or chinks that would pose a danger of jimming the head, fingers or any other body parts;
- The equipment is designed for public playgrounds;
- The equipment render is of an illustrative nature and shows only the general specification of the equipment, but not actual appearance;

SURFACES

Due to the free fall height of the equipment, the PN-EN 1176-1:2017 standard allows the following surfaces: turf/ soil (A,B,C), sand with minimal layer thickness of 30 cm (A,C), synthetic material approved for free fall of 0,60 m (A,B,C).

UNI PLAY

Address: Building E, Wisniowy Business Park, Ul Ilzecka 26, 02-135, Warsaw, Poland
 Tell: +48 221 530 191
 Email: info@uniplay.com.pl