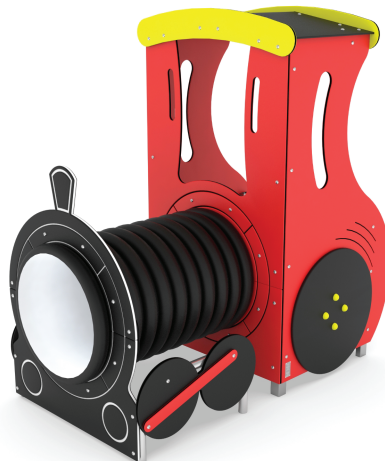


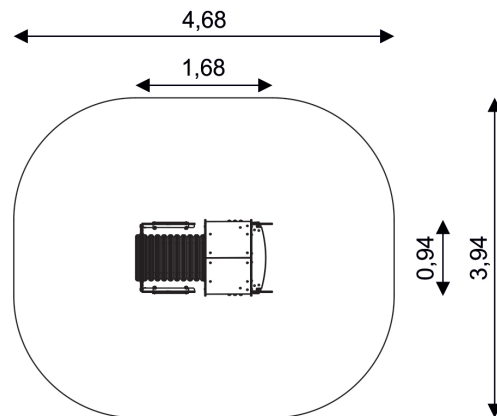
UNI PLAY SOLO 0810

TRAIN



Device Specifications	
Safety zone	16,50 m <sup>2</sup>
Length	1,68 m
Width	0,94 m
Total height	1,66 m
Free fall height	< 0,60 m
Age range	3-12 years
In accordance PN-EN standards	1176-1:2017
Weight of the heaviest part [kg]	36
Dimension of the biggest part [cm]	215x82x78
Availability of spare parts	Yes

Minimal space



MATERIAL SPECIFICATION

- Galvanized and/or powder coated steel construction;
- Roofs and panels are made of atmospheric condition resistant HDPE plates;
- Durable, anti-slip and waterproof platforms and climbing walls made of HPL;
- Screws covered with plastic caps or made of stainless steel;
- Double-walled pipe tunnel made of PP polypropylene;

ADDITIONAL COMMENTS

- Depth of foundations on a flat surface 80/70/60 cm;
- No sharp edges or chinks that would pose a danger of jimming the head, fingers or any other body parts;
- The equipment is designed for public playgrounds;
- The equipment render is of an illustrative nature and shows only the general specification of the equipment, but not actual appearance;
- The equipment is certified by an accrediting organization or by certificate of conformity;

SURFACES

Due to the free fall height of the equipment, the PN-EN 1176-1:2017 standard allows the following surfaces: turf/ soil (A,B,C), sand with minimal layer thickness of 30 cm (A,C), synthetic material approved for free fall of 0,60 m (A,B,C).

UNI PLAY

Address: Building E, Wisniowy Business Park, Ul Ilzecka 26, 02-135, Warsaw, Poland  
 Tell: +48 221 530 191  
 Email: [info@uniplay.com.pl](mailto:info@uniplay.com.pl)